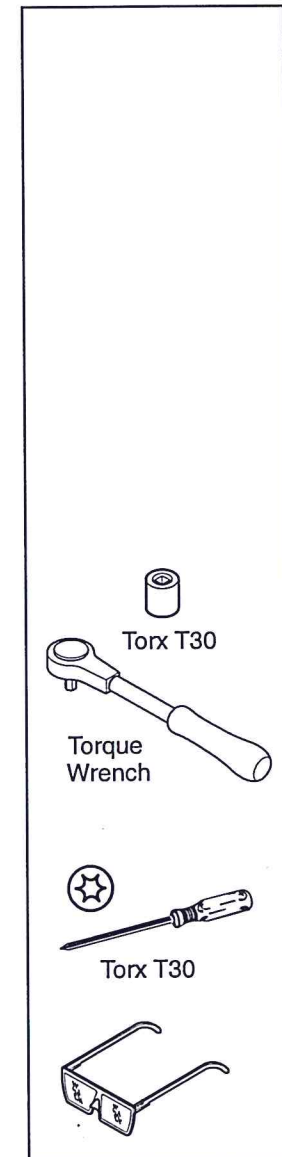




If you have a problem, question, or request, call your local dealer, or Steelcase Line 1 at **888.STEELCASE** (888.783.3522) for immediate action by people who want to help you. (Outside the U.S.A., Canada, Mexico, Puerto Rico, and the U.S. Virgin Islands, call: 1.616.247.2500) Or visit our website: [www.steelcase.com](http://www.steelcase.com)

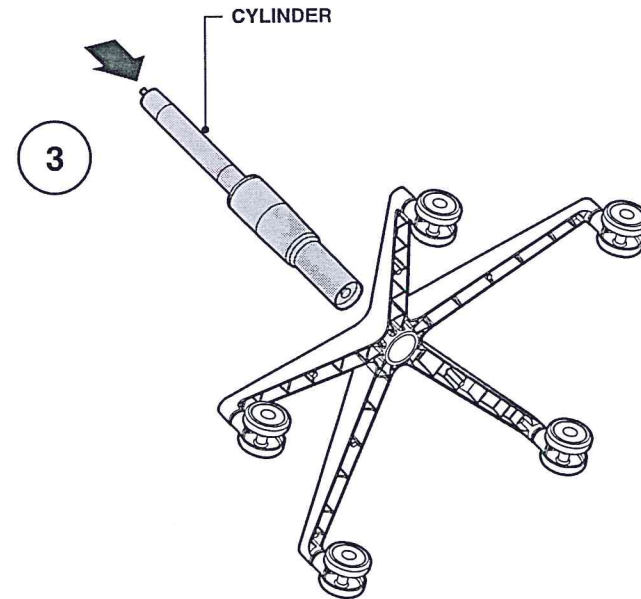
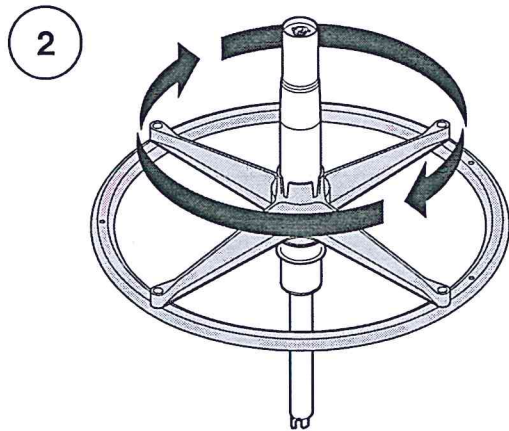
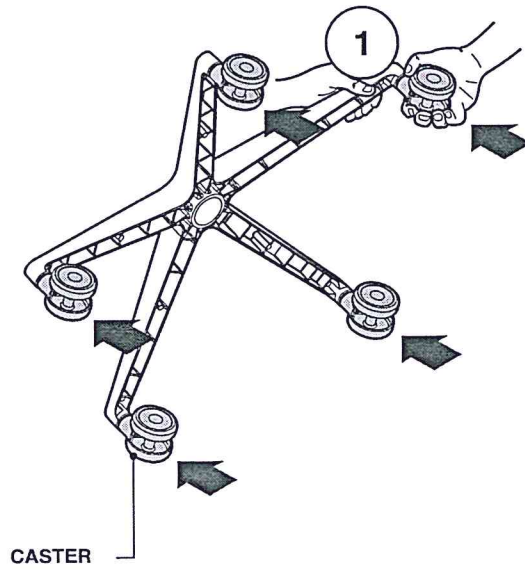
© 2014 Steelcase Inc.  
Grand Rapids, MI 49501  
U.S.A.  
Printed in U.S.A.



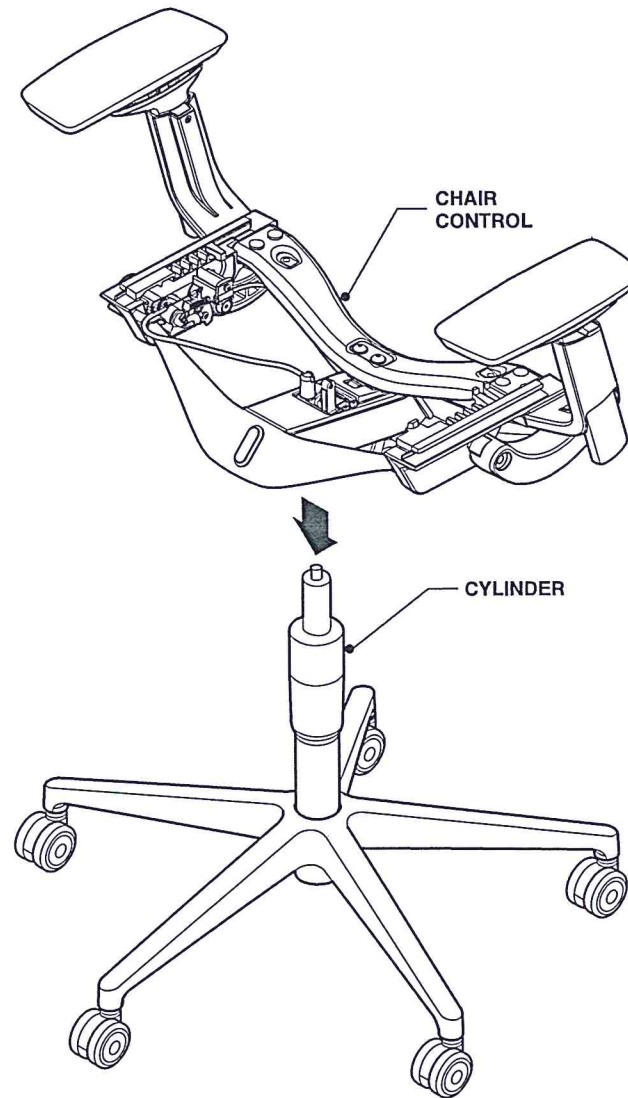
**1.** Snap casters onto base by hand.

**2. For stool chairs only.** Position footring on cylinder and twist clock-wise to secure to cylinder.

**3.** Place cylinder onto base.



4. Place chair control onto cylinder.



**5.** Align the slots in the seat bottom with the slide bearings. Push seat from the front while simultaneously pressing the seat slide handle. Push the seat with enough force to move beyond the seat out stop feature. Once positioned, press the seat slide handle and pull the seat all the way forward to verify the seat is properly assembled to the chair. Leave seat in forward position while re-assembling back to chair.

**6.** Position back assembly on chair frame as shown. Align holes in back with holes in control assembly. Rotate back assembly backwards until it stops. Insert pivot screws in both sides.

**7.** Tighten pivot screws with torque wrench and T-30 driver to 15Nm (130 inch pounds).

**8.** Sit in chair to set the taper on the pneumatic cylinder.

