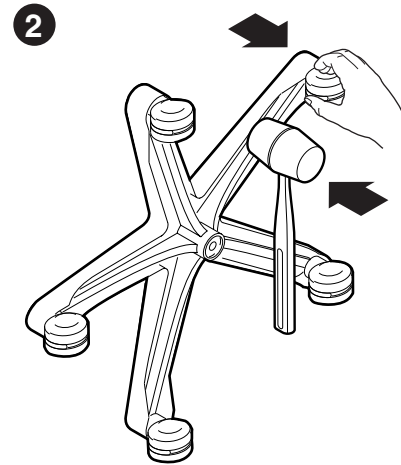
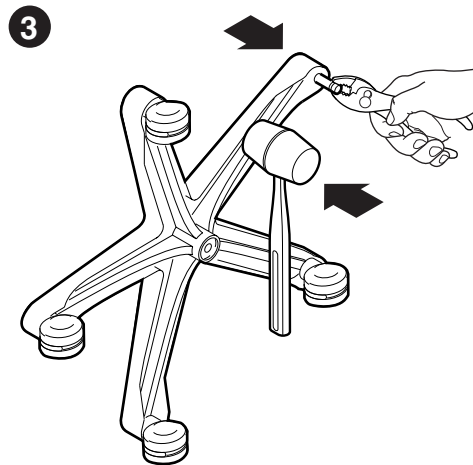


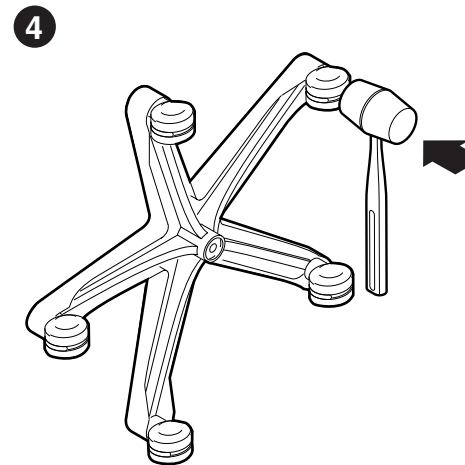
Place chair on its side.



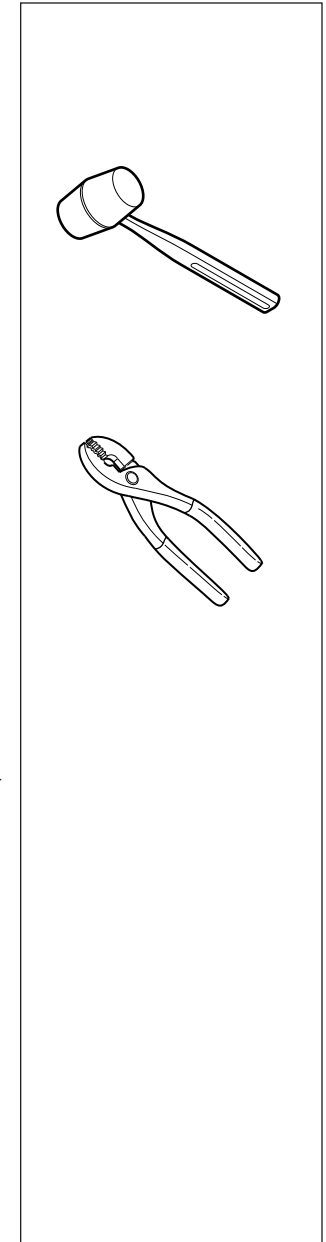
To remove casters, tap base with a mallet while pulling on the caster.



Some chairs have a welded-on stem and some chairs have snap-on stem. If the caster pulls off without the stem, (on a snap-on version) use pliers and pull on the stem while tapping the base with a mallet.



Install new caster by tapping base of caster with a mallet.



If you have a problem, question, or request, call Steelcase Line 1 at **888.STEELCASE** (888.783.3522) for immediate action by people who want to help you.

(Outside the U.S.A., Canada, Mexico, Puerto Rico, and the U.S. Virgin Islands, call: 1.616.247.2500) Or visit our website: www.steelcase.com

© 2001 Steelcase Inc.
Grand Rapids, MI 49501
U.S.A.

Printed in U.S.A.